

4

3

2

1

THIS DRAWING IS UNPUBLISHED.

RELEASED FOR PUBLICATION

20

LOC

DIST

REVISIONS

© COPYRIGHT 20

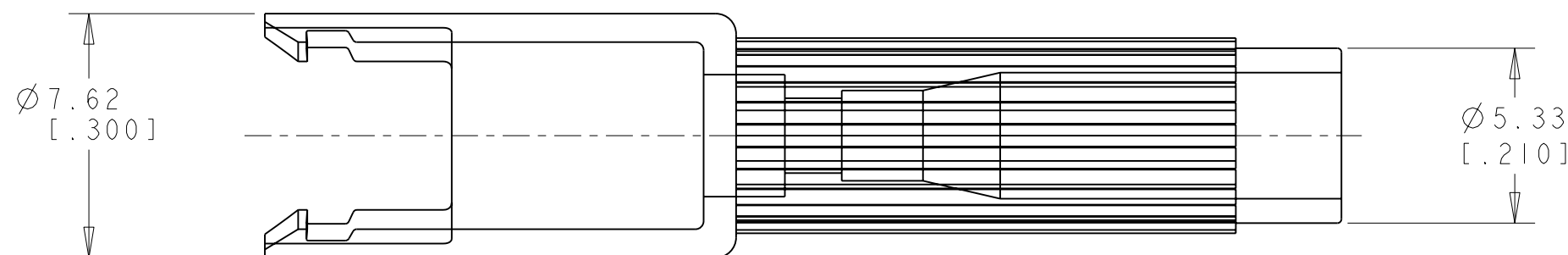
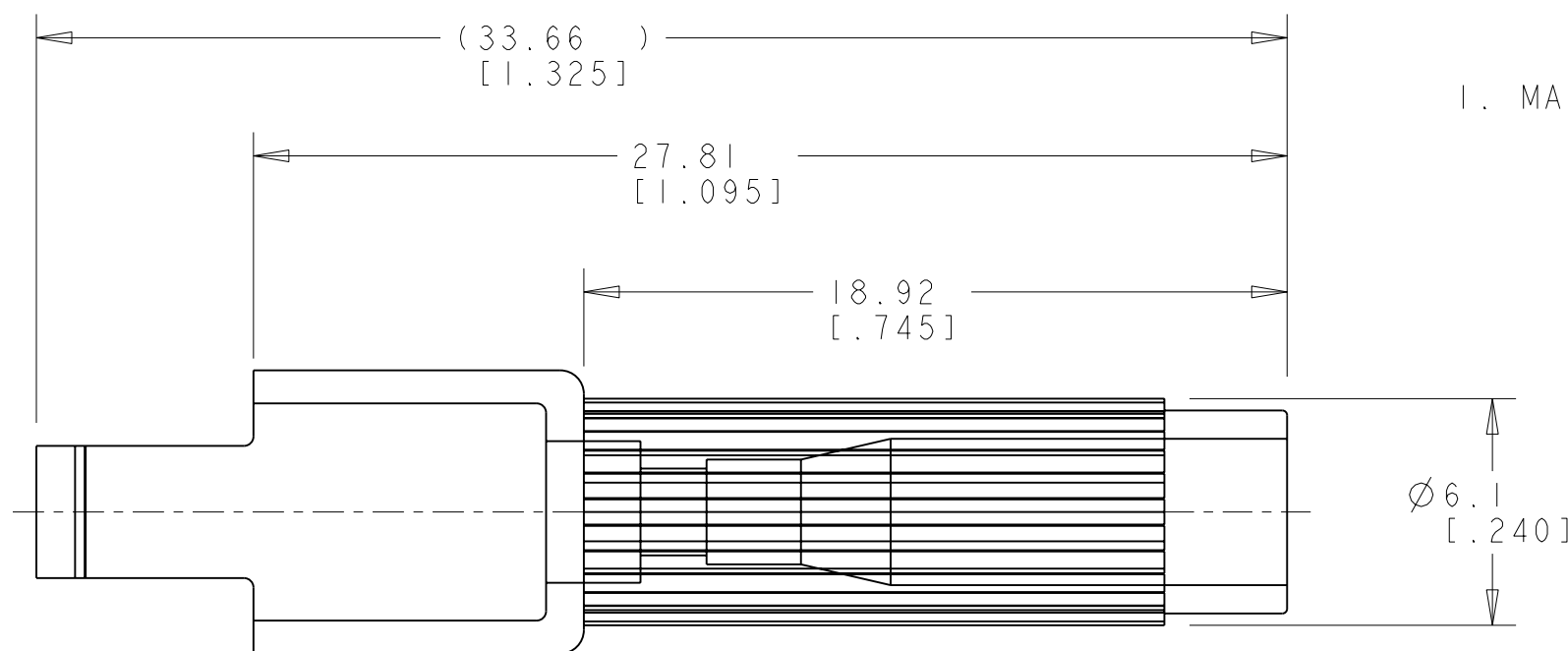
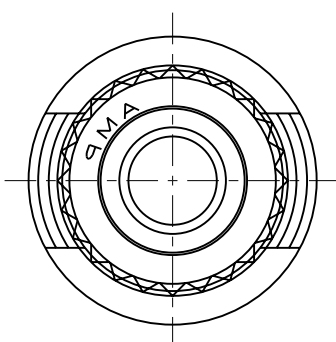
BY TYCO ELECTRONICS CORPORATION. ALL RIGHTS RESERVED.

CM

00

P	LTR	DESCRIPTION	DATE	DWN	APVD
	D	REVISED PER 0G3B-0341-02	15-APR-03	KW	DC
	E	REVISED PER ECO-05-011041	07OCT05	KW	DC

1. MATES WITH PLUG 480349 OR 480400.



1-480401-0

PART NUMBER

THIS DRAWING IS A CONTROLLED DOCUMENT FOR TYCO ELECTRONICS CORPORATION IT IS SUBJECT TO CHANGE AND THE CONTROLLING ENGINEERING ORGANIZATION SHOULD BE CONTACTED FOR THE LATEST REVISION.

DIMENSIONS: mm [ INCHES ]		TOLERANCES UNLESS OTHERWISE SPECIFIED:	
		0 PLC	±-
		1 PLC	±-
		2 PLC	±0.13 [.005]
		3 PLC	±-
MATERIAL NYLON, 94V-2, BLACK		4 PLC	±-
		ANGLES	±-
		FINISH	-

DWN	15-APR-2003
CHK	K. WHITAKER
APVD	15-APR-2003
	D. COLEY
PRODUCT SPEC	15-APR-2003
APPLICATION SPEC	
WEIGHT	-
CUSTOMER DRAWING	

<b>tyco</b> Electronics		Tyco Electronics Harrisburg, PA 17105-3608	
NAME CAP, SINGLE CIRCUIT, COMMERCIAL MATE-N-LOK(TM)			
SIZE	CAGE CODE	DRAWING NO	RESTRICTED TO
A3	00779	©-480401	-
SCALE 5:1		SHEET 1 OF 1	REV E

METRIC